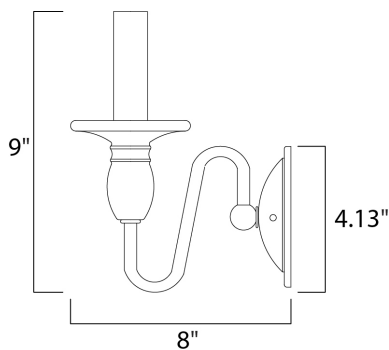




**PRODUCT DESCRIPTION**

This unique collection offers candelabra styling with the decorative flexibility of a chandelier. Finished Oil Rubbed Bronze or Satin Nickel.



**MEASUREMENTS**

DIMENSION : 4.5" W x 9" H x 8" Ext  
 MAX OAH : 4.13" W x 4.13" H  
 HANGING WEIGHT : 1.12 lb

**LAMPING**

INPUT VOLTAGE : 120V  
 BULB : 1 x 60W Incandescent E12 Candelabra , 60W Total  
 BULB INCLUDED : (Not Included)  
 DIMMABLE : Yes  
 LIGHTING\_DIRECTION : Up

**FINISHES OPTION**

 Oil Rubbed Bronze (OI)

**MATERIAL**

Steel

**RATINGS**

cETLus  
 Damp Location



**ADDITIONAL**

INSTALL UP/DOWN: Up  
 OPERATING TEMPERATURE:  
 -20°C (-4°F), 40°C (104°F)

Always consult a qualified electrician before installing any lighting product.



WESTERN DISTRIBUTION CENTER (HEADQUARTER)  
 253 NORTH VINELAND AVE | CITY OF INDUSTRY, CA 91746

EASTERN DISTRIBUTION CENTER  
 101 GARDNER PARK | PEACHTREE CITY, GA 30269

P. 626.956.4200 | F. 626.956.4225 | maximlighting.com